

# SPEED HUMP

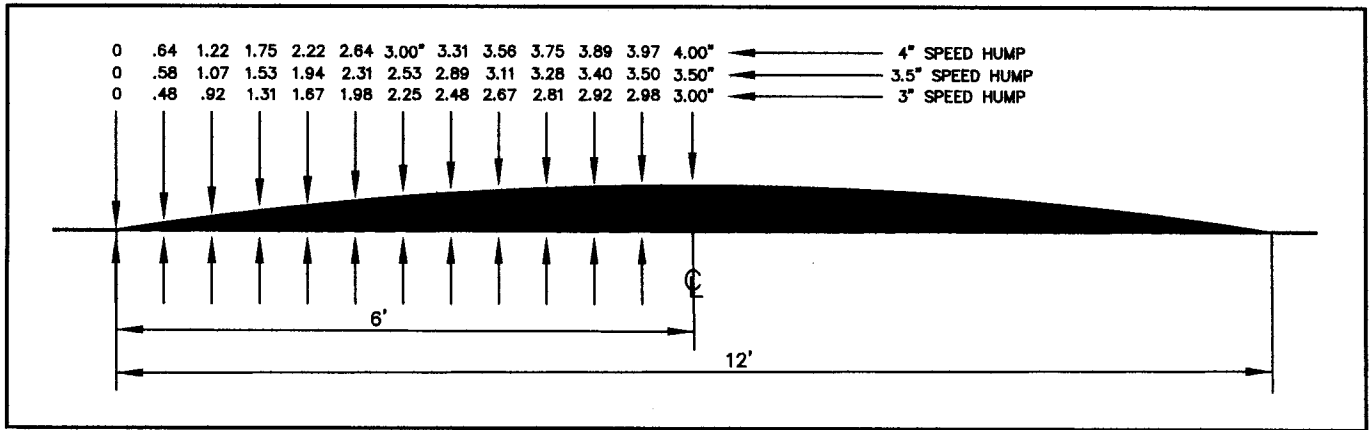
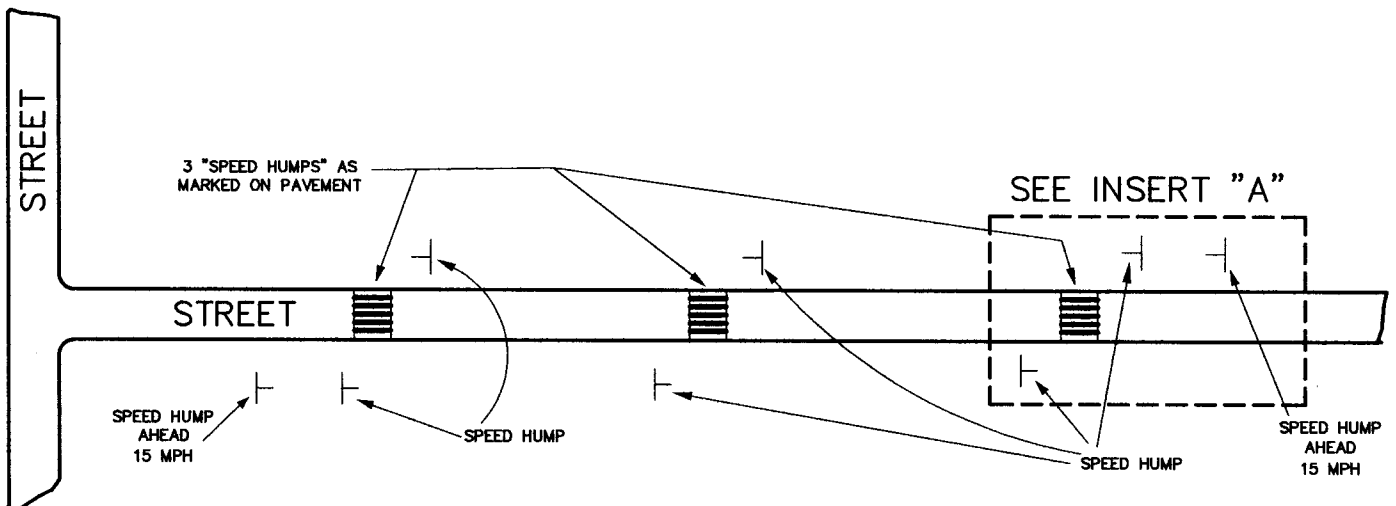
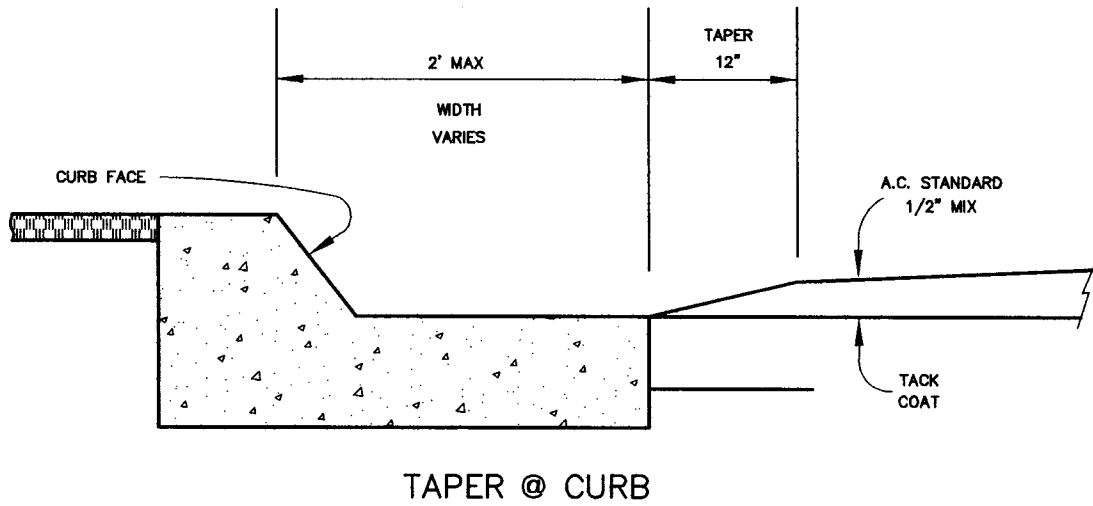


Figure 2. Typical speed hump dimensions (parabolic 4-in., 3.5-in. and 3-in.)

## CROSS SECTIONS



EXAMPLE PLAN

(NO SCALE)